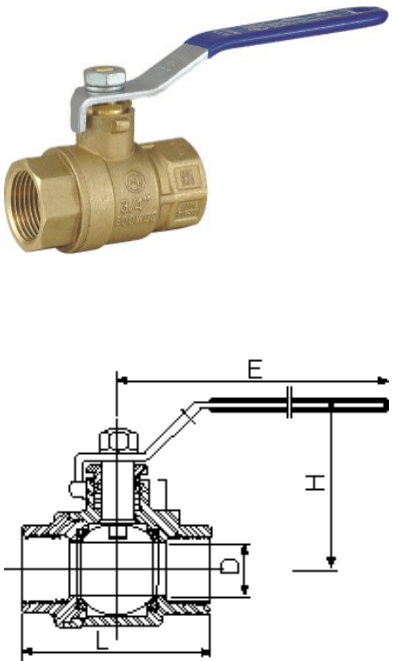



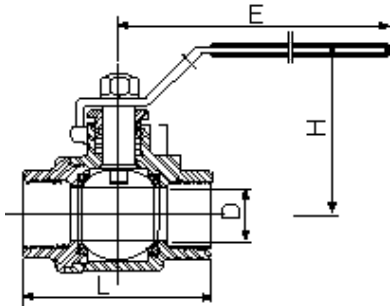


**Product Specifications:  
Brass Ball Valves**

Part Number:	<b>TG-BBVT-1/4</b>	
Description:	BRASS BALL VALVE 1/4 FULL PORT THREADED	
Size:	0.25	
Handle:	Regular	
Cert:	CSA / UL, CGA B125 ASME A12.18	
W.O.G:	600	
W.S.P:	150	
Water PSI:	125	
L Dimension In (mm)	1.71 (43mm)	
D Dimension In (mm)	0.25 (6.5mm)	
H Dimension In (mm)	1.48 (38mm)	
E Dimension In (mm)	3.35 (85mm)	
Case Quantity:	10	



**Product Specifications:  
Brass Ball Valves**

Part Number:	<b>TG-BBVT-1/4-L/O</b>	 
Description:	BRASS BALL VALVE 1/4 FLLPRT THRD W/LCKOUT	
Size:	0.25	
Handle:	Locking	
Cert:	CSA / UL, CGA B125 ASME A12.18	
W.O.G:	600	
W.S.P:	150	
Water PSI:	125	
L Dimension In (mm)	1.71 (43mm)	
D Dimension In (mm)	0.25 (6.5mm)	
H Dimension In (mm)	1.48 (38mm)	
E Dimension In (mm)	3.35 (85mm)	
Case Quantity:	10	


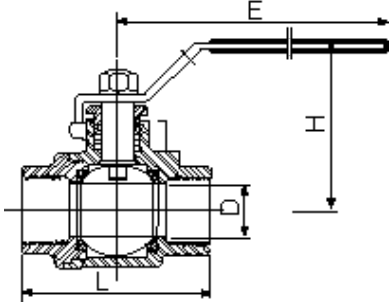


**Product Specifications:  
Brass Ball Valves**

Part Number:	<b>TG-BBVT-3/8</b>	
Description:	BRASS BALL VALVE 3/8 FULL PORT THREADED	
Size:	0.375	
Handle:	Regular	
Cert:	CSA / UL, CGA B125 ASME A12.18	
W.O.G:	600	
W.S.P:	150	
Water PSI:	125	
L Dimension In (mm)	1.75 (45mm)	
D Dimension In (mm)	0.375 (9.5mm)	
H Dimension In (mm)	1.57 (40mm)	
E Dimension In (mm)	3.35 (85mm)	
Case Quantity:	10	

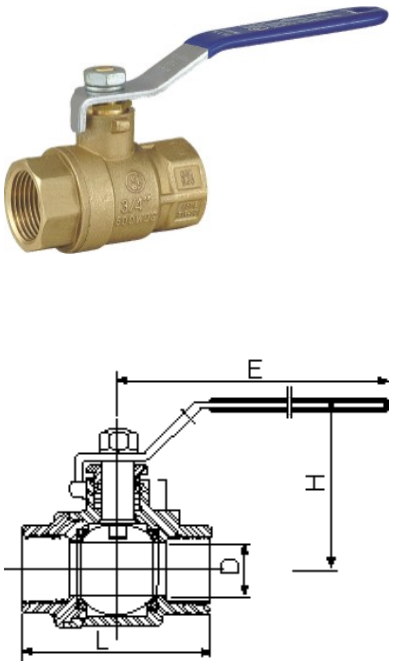


**Product Specifications:  
Brass Ball Valves**

Part Number:	<b>TG-BBVT-3/8-L/O</b>	 
Description:	BRASS BALL VALVE 3/8 FLLPRT THRD W/LCKOUT	
Size:	0.375	
Handle:	Locking	
Cert:	CSA / UL, CGA B125 ASME A12.18	
W.O.G:	600	
W.S.P:	150	
Water PSI:	125	
L Dimension In (mm)	1.75 (45mm)	
D Dimension In (mm)	0.375 (9.5mm)	
H Dimension In (mm)	1.57 (40mm)	
E Dimension In (mm)	3.35 (85mm)	
Case Quantity:	10	



**Product Specifications:  
Brass Ball Valves**

Part Number:	<b>TG-BBVT-1/2</b>	
Description:	BRASS BALL VALVE 1/2 FULL PORT THREADED	
Size:	0.5	
Handle:	Regular	
Cert:	CSA / UL, CGA B125 ASME A12.18	
W.O.G:	600	
W.S.P:	150	
Water PSI:	125	
L Dimension In (mm)	2.27 (58mm)	
D Dimension In (mm)	0.58 (15mm)	
H Dimension In (mm)	1.81 (46mm)	
E Dimension In (mm)	3.35 (46mm)	
Case Quantity:	10	



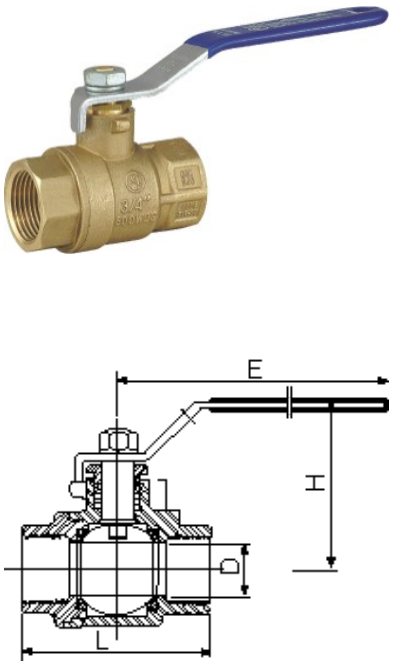
**Product Specifications:  
Brass Ball Valves**

Part Number:	<b>TG-BBVT-1/2-L/O</b>	
Description:	BRASS BALL VALVE 1/2 FLLPRT THRD W/LCKOUT	
Size:	0.5	
Handle:	Locking	
Cert:	CSA / UL, CGA B125 ASME A12.18	
W.O.G:	600	
W.S.P:	150	
Water PSI:	125	
L Dimension In (mm)	2.27 (58mm)	
D Dimension In (mm)	0.58 (15mm)	
H Dimension In (mm)	1.81 (46mm)	
E Dimension In (mm)	3.35 (46mm)	
Case Quantity:	10	

/DL



**Product Specifications:  
Brass Ball Valves**

Part Number:	<b>TG-BBVT-3/4</b>	
Description:	BRASS BALL VALVE 3/4 FULL PORT THREADED	
Size:	0.75	
Handle:	Regular	
Cert:	CSA / UL, CGA B125 ASME A12.18	
W.O.G:	600	
W.S.P:	150	
Water PSI:	125	
L Dimension In (mm)	2.52 (64mm)	
D Dimension In (mm)	0.75 (19mm)	
H Dimension In (mm)	2.35 (60mm)	
E Dimension In (mm)	4.29 (60mm)	
Case Quantity:	10	



**Product Specifications:  
Brass Ball Valves**

Part Number:	<b>TG-BBVT-3/4-L/O</b>	
Description:	BRASS BALL VALVE 3/4 FLLPRT THRD W/LCKOUT	
Size:	0.75	
Handle:	Locking	
Cert:	CSA / UL, CGA B125 ASME A12.18	
W.O.G:	600	
W.S.P:	150	
Water PSI:	125	
L Dimension In (mm)	2.52 (64mm)	
D Dimension In (mm)	0.75 (19mm)	
H Dimension In (mm)	2.35 (60mm)	
E Dimension In (mm)	4.29 (60mm)	
Case Quantity:	10	

/DL



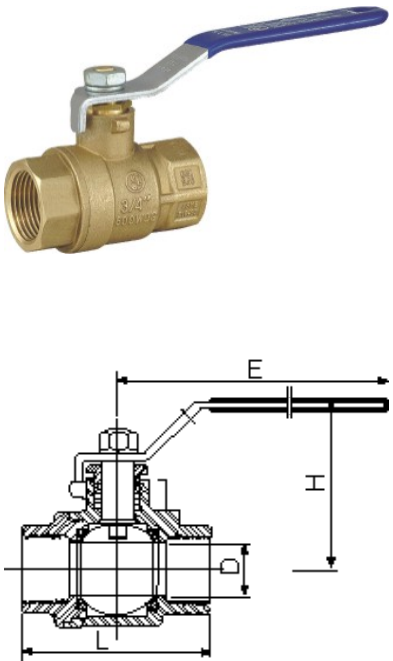


**Product Specifications:  
Brass Ball Valves**

Part Number:	<b>TG-BBVT-1</b>	
Description:	BRASS BALL VALVE 1" FULL PORT THREADED	
Size:	1	
Handle:	Regular	
Cert:	CSA / UL, CGA B125 ASME A12.18	
W.O.G:	600	
W.S.P:	150	
Water PSI:	125	
L Dimension In (mm)	2.97 (75.5mm)	
D Dimension In (mm)	0.94 (25mm)	
H Dimension In (mm)	2.52 (64mm)	
E Dimension In (mm)	4.29 (64mm)	
Case Quantity:	8	



**Product Specifications:  
Brass Ball Valves**

Part Number:	<b>TG-BBVT-1</b>	
Description:	BRASS BALL VALVE 1" FULL PORT THREADED	
Size:	1	
Handle:	Regular	
Cert:	CSA / UL, CGA B125 ASME A12.18	
W.O.G:	600	
W.S.P:	150	
Water PSI:	125	
L Dimension In (mm)	2.97 (75.5mm)	
D Dimension In (mm)	0.95 (25mm)	
H Dimension In (mm)	2.52 (64mm)	
E Dimension In (mm)	4.29 (64mm)	
Case Quantity:	8	



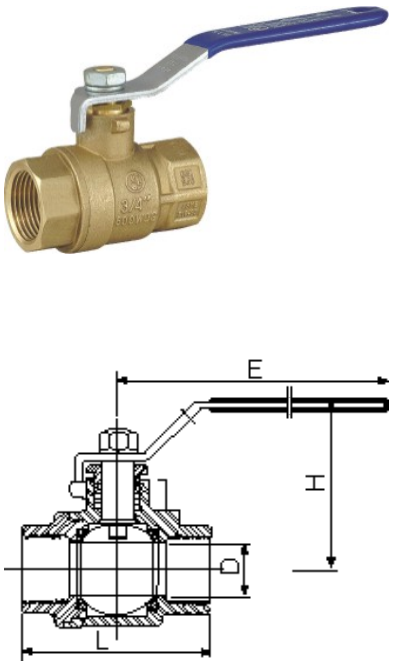
**Product Specifications:  
Brass Ball Valves**

Part Number:	<b>TG-BBVT-1-L/O</b>	
Description:	BRASS BALL VALVE 1" FLLPRT THRD W/LCKOUT	
Size:	1	
Handle:	Locking	
Cert:	CSA / UL, CGA B125 ASME A12.18	
W.O.G:	600	
W.S.P:	150	
Water PSI:	125	
L Dimension In (mm)	2.97 (75.5mm)	
D Dimension In (mm)	0.95 (25mm)	
H Dimension In (mm)	2.52 (64mm)	
E Dimension In (mm)	4.29 (64mm)	
Case Quantity:	8	

/DL

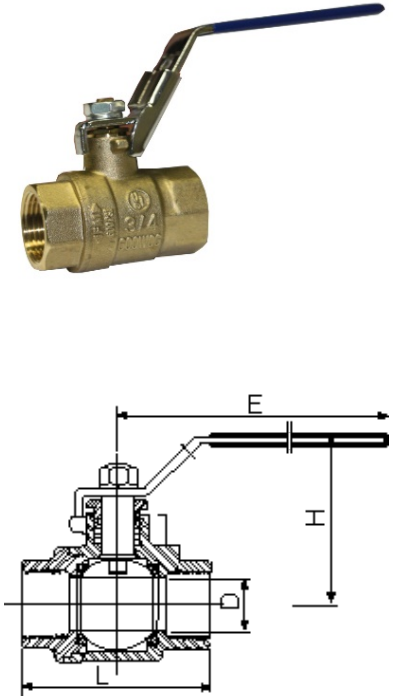


**Product Specifications:  
Brass Ball Valves**

Part Number:	<b>TG-BBVT-1-1/4</b>	
Description:	BRASS BALL VLVE FULL PORT THREADED 1-1/4"	
Size:	1.25	
Handle:	Regular	
Cert:	CSA / UL, CGA B125 ASME A12.18	
W.O.G:	600	
W.S.P:	150	
Water PSI:	125	
L Dimension In (mm)	3.45 (87.5mm)	
D Dimension In (mm)	1.25 (32mm)	
H Dimension In (mm)	2.52 (64mm)	
E Dimension In (mm)	5.63 (64mm)	
Case Quantity:	4	



**Product Specifications:  
Brass Ball Valves**

Part Number:	<b>TG-BBVT-1-1/4-L/O</b>	
Description:	BRASS BALL VLVE FULL PRT THRD W/LO 1-1/4"	
Size:	1.25	
Handle:	Locking	
Cert:	CSA / UL, CGA B125 ASME A12.18	
W.O.G:	600	
W.S.P:	150	
Water PSI:	125	
L Dimension In (mm)	3.45 (87.5mm)	
D Dimension In (mm)	1.25 (32mm)	
H Dimension In (mm)	2.52 (64mm)	
E Dimension In (mm)	5.63 (64mm)	
Case Quantity:	4	

/DL



**Product Specifications:  
Brass Ball Valves**

Part Number:	<b>TG-BBVT-1-1/2</b>	
Description:	BRASS BALL VLVE FULL PORT THREADED 1-1/2"	
Size:	1.5	
Handle:	Regular	
Cert:	CSA / UL, CGA B125 ASME A12.18	
W.O.G:	600	
W.S.P:	150	
Water PSI:	125	
L Dimension In (mm)	3.87 (98.5mm)	
D Dimension In (mm)	1.57 (40mm)	
H Dimension In (mm)	2.72 (69mm)	
E Dimension In (mm)	5.62 (69mm)	
Case Quantity:	2	



**Product Specifications:  
Brass Ball Valves**

Part Number:	<b>TG-BBVT-1-1/2-L/O</b>	
Description:	BRASS BALL VLVE FULL PRT THRD W/LO 1-1/2"	
Size:	1.5	
Handle:	Locking	
Cert:	CSA / UL, CGA B125 ASME A12.18	
W.O.G:	600	
W.S.P:	150	
Water PSI:	125	
L Dimension In (mm)	3.87 (98.5mm)	
D Dimension In (mm)	1.57 (40mm)	
H Dimension In (mm)	2.72 (69mm)	
E Dimension In (mm)	5.63 (69mm)	
Case Quantity:	2	

/DL



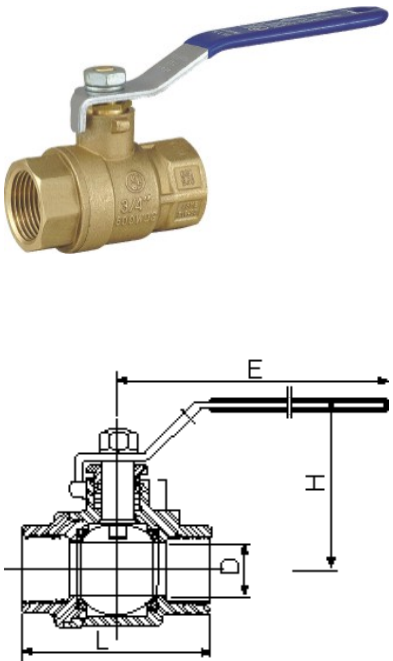
**Product Specifications:  
Brass Ball Valves**

Part Number:	<b>TG-BBVT-2</b>	
Description:	BRASS BALL VALVE 2" FULL PORT THREADED	
Size:	2	
Handle:	Regular	
Cert:	CSA / UL, CGA B125 ASME A12.18	
W.O.G:	600	
W.S.P:	150	
Water PSI:	125	
L Dimension In (mm)	4.30 (109mm)	
D Dimension In (mm)	1.97 (50mm)	
H Dimension In (mm)	3.03 (77mm)	
E Dimension In (mm)	5.63 (77mm)	
Case Quantity:	2	



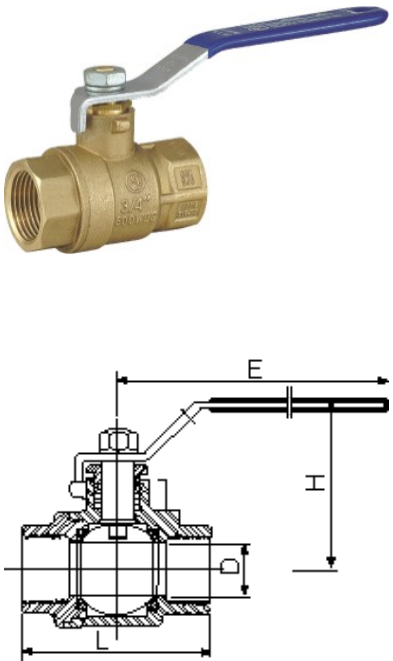


**Product Specifications:  
Brass Ball Valves**

Part Number:	<b>TG-BBVT-2-1/2</b>	
Description:	BRASS BALL VLVE FULL PORT THREADED 2-1/2"	
Size:	2.5	
Handle:	Regular	
Cert:	CSA / UL, CGA B125 ASME A12.18	
W.O.G:	600	
W.S.P:	150	
Water PSI:	125	
L Dimension In (mm)	5.5999999999999996 (142mm)	
D Dimension In (mm)	2.52 (64mm)	
H Dimension In (mm)	4.25 (108mm)	
E Dimension In (mm)	7.75 (108mm)	
Case Quantity:	2	

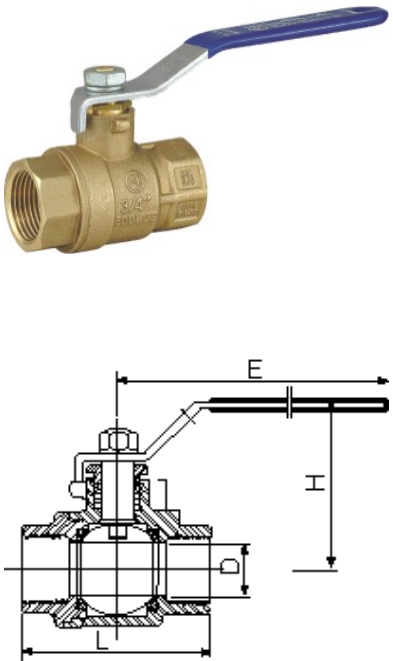


**Product Specifications:  
Brass Ball Valves**

Part Number:	<b>TG-BBVT-3</b>	
Description:	BRASS BALL VALVE 3" FULL PORT THREADED	
Size:	3	
Handle:	Regular	
Cert:	CSA / UL, CGA B125 ASME A12.18	
W.O.G:	600	
W.S.P:	150	
Water PSI:	125	
L Dimension In (mm)	6.34(161mm)	
D Dimension In (mm)	2.96 (75mm)	
H Dimension In (mm)	4.92 (125mm)	
E Dimension In (mm)	8.369999999999992 (125mm)	
Case Quantity:	1	



**Product Specifications:  
Brass Ball Valves**

Part Number:	<b>TG-BBVT-4</b>	
Description:	BRASS BALL VALVE 4" FULL PORT THREADED	
Size:	4	
Handle:	Regular	
Cert:	CSA / UL, CGA B125 ASME A12.18	
W.O.G:	600	
W.S.P:	150	
Water PSI:	125	
L Dimension In (mm)	7.84 (199mm)	
D Dimension In (mm)	3.90 (99mm)	
H Dimension In (mm)	5.87 (148.5mm)	
E Dimension In (mm)	9.25 (148.5mm)	
Case Quantity:	1	